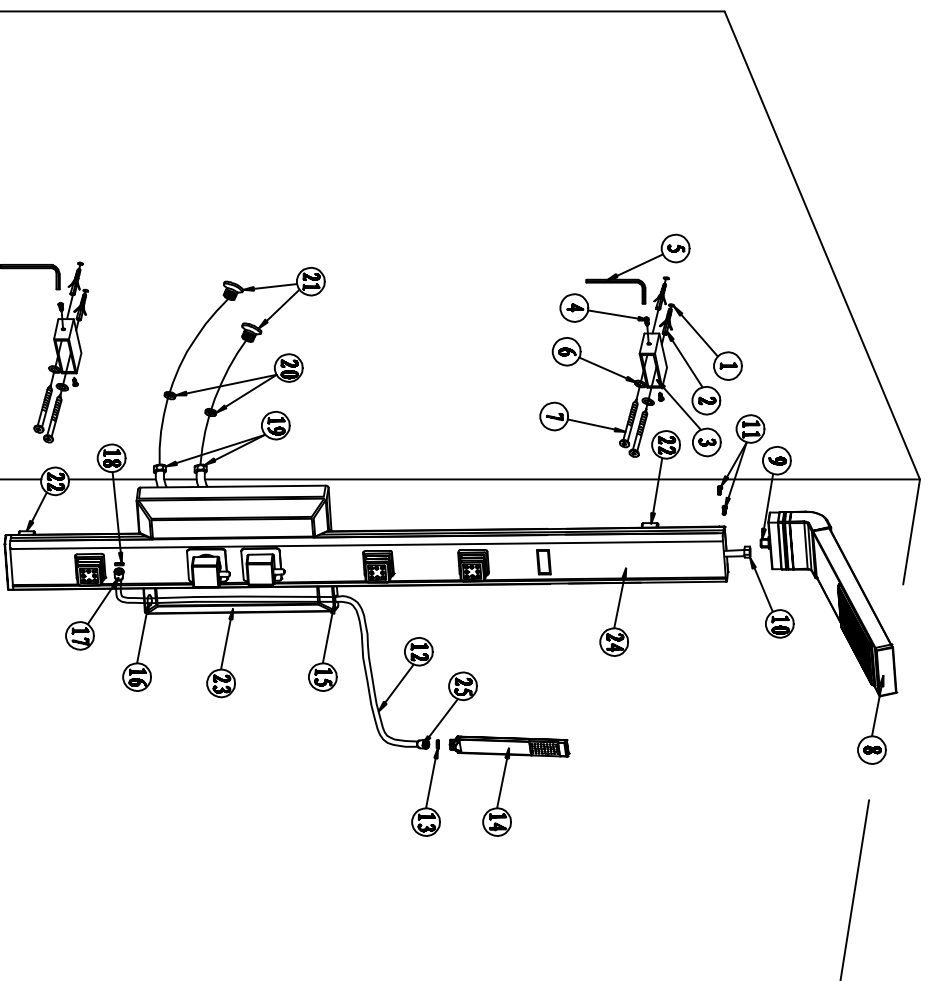
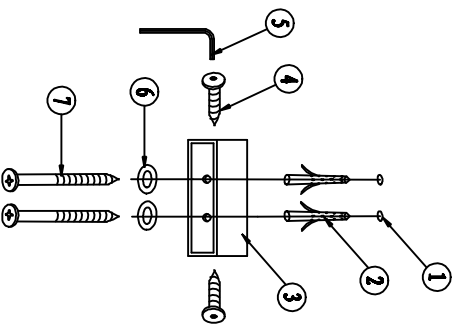


SL044



Note:
There are two mesh gaskets (8) in the supply hoses. If you find that pressure or volume of water is not big as before, pls clean the mesh gaskets timely.

Refer to the technical diagram to choose the proper location for your shower column. You can adjust the column's vertical position based on the person's height. (Measurements given in the technical diagram are based on the average human height 68 5/7").

1. Choose the proper location for your column and mark the drill holes (1). Drill the holes (1) on the distance 30mm from each other.
2. Insert Wall anchors (2) inside the holes.
3. Tighten the screws (7) to the wall with stainless steel washers (9) for fixing the support covers (3).
4. Connect the hand shower (14) to the flexible shower hose (12) placing the rubber washer (13) in the fastening nut (25). Attach the hose (12) to the column body (24) from top hole (15) to bottom hole (16) of the attached column (23). NOTE: do not forget to use the rubber washer (13) to prevent leakage on the connection. Flexible hose end with a nut should be attached to the column (17). Put the hand shower (14) on the top hole (15) of the attached column.
5. Connect the joint (9) to the fastening nut (10) of pipe, insert the joint (9) to the hole of the column body (24), and secure them by screw (11).
6. Connect the stainless steel breaks (19) to hot and cold water outlets (21) (supplied by your plumber) accordingly after placing the mesh gaskets (20) in the nuts of the breaks (19).
7. Hold up the column body (24), and insert the supports (22) inside the covers (3). Tool the two sides of the covers (3) by screws (4), and then fix them.