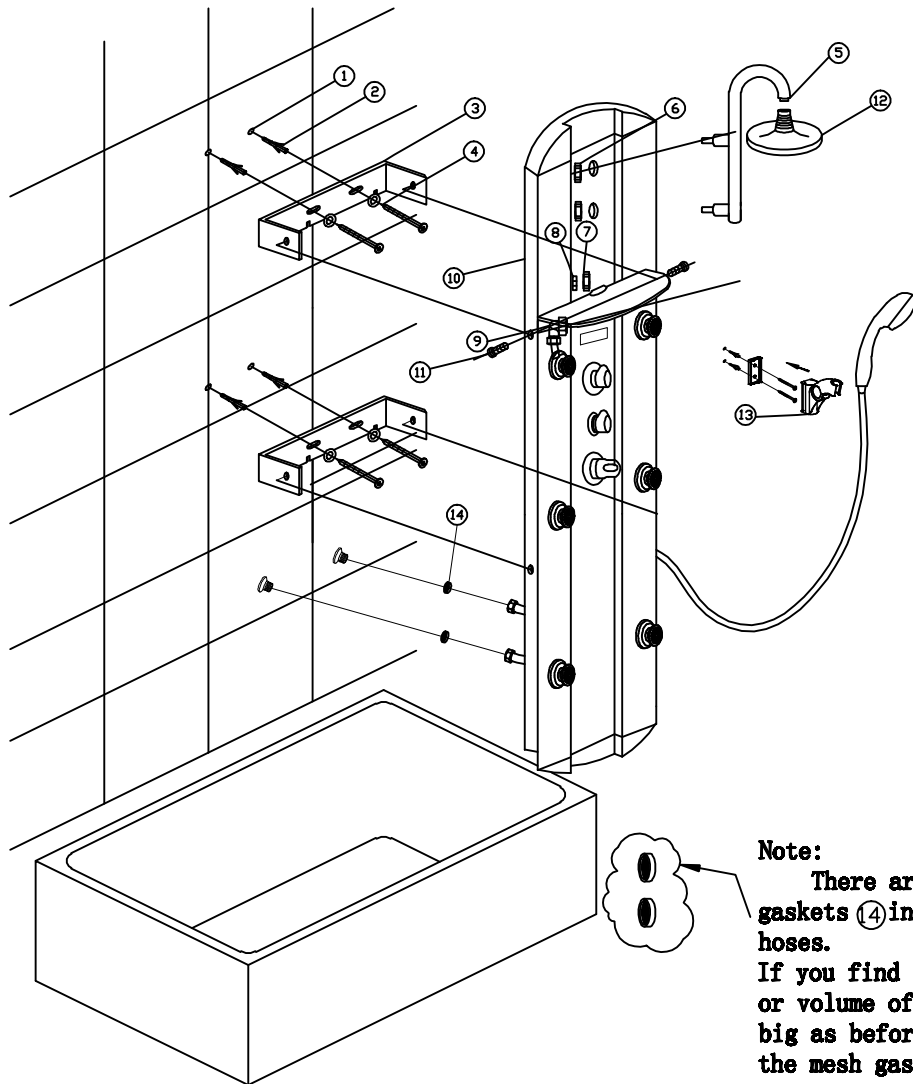


## S2728TD

(1)Plane



### Installation instruction:

- 1) Dig two holes in proper position on the wall ①  $\varnothing 6$ ;
- 2) Put the plastic plug ② into the hole  $\varnothing 7$ ;
- 3) Install the stainless steel bracket ③ by screw ;
- 4) Install the screws ④ ;
- 5) Set the brass tube ⑤ at the proper position ⑩;
- 6) Install the screw ⑥ ⑦;
- 7) Put the gasket ⑧ in ⑨ ;
- 8) Install ⑨ ;
- 9) Put the shower panel ⑩ on the proper position of the stainless steel bracket ;
- 10) Install the screw ⑪ and fix it ;
- 11) Put overhead shower ⑫ to ⑤;
- 12) Put ⑬ on ⑩ ;

### Note:

There are two mesh gaskets ④ in the supply hoses.

If you find that pressure or volume of water is not big as before, pls clean the mesh gaskets timely.

### Instruction of thermostatic mixer:

1. Balanced hot and cold water pressure
2. Water pressure  $> 2\text{PA}$
3. Clean water, no impurities in water pipes
4. Generally, clean the mesh gaskets within 2 months