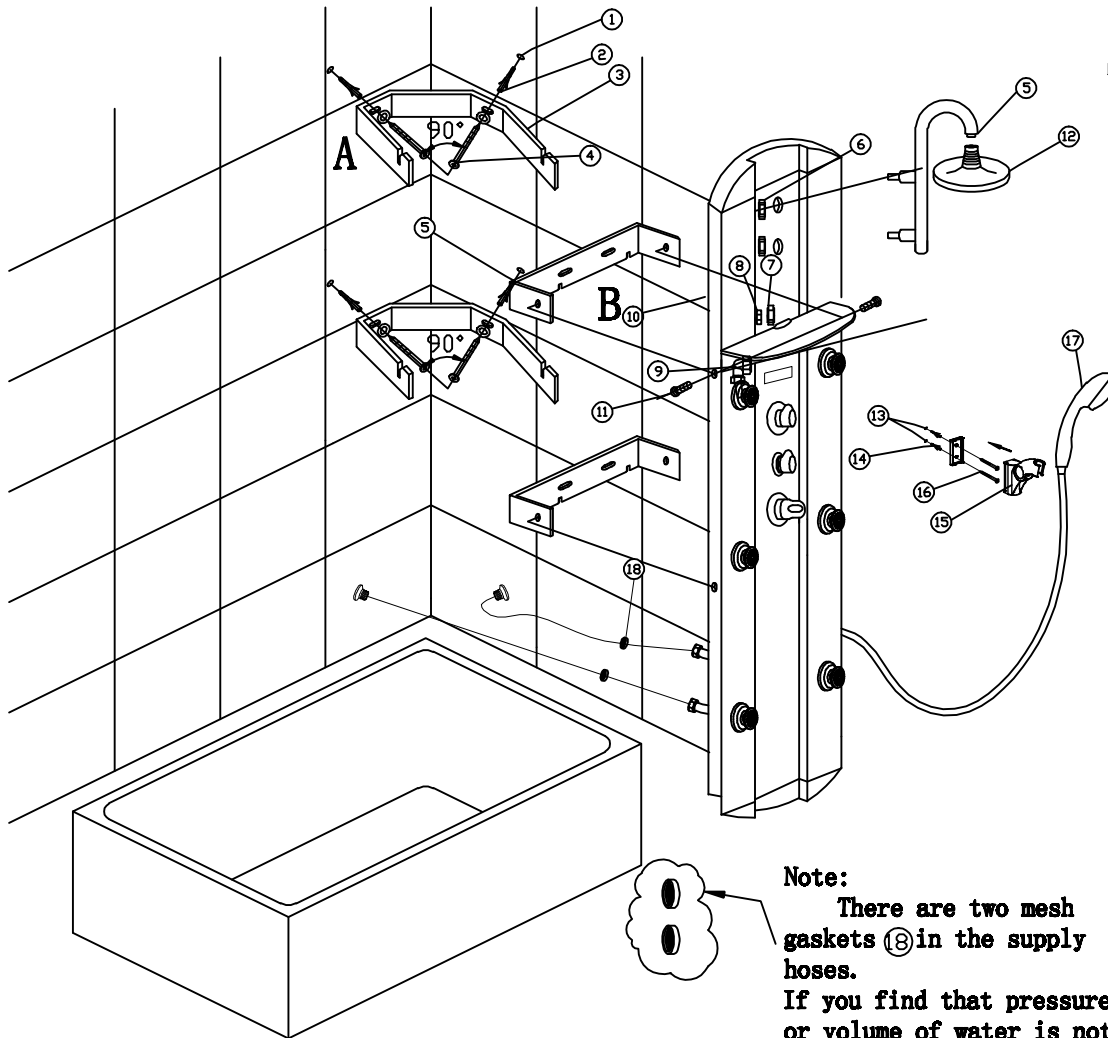


S2728TD

(2) Corner



Installation instruction:

A

- 1) Dig two holes in proper position on the wall ① $\phi 6$;
- 2) Put the plastic plug ② into the hole $\phi 7$;
- 3) Install the stainless steel corner bracket ③ by screw ;
- 4) Install the screws ④ ;

B

- 5) Repeat (1) steps from 5) to 11);
- 6) Put the stainless steel bracket ⑤ on the shower panel;
- 7) Install the screw ⑥ and fix it ;
- 8) Hang B on A ;

C

- 9) Repeat (1) steps 12);
- 10) Dig two holes in proper position on the wall ⑬ $\phi 6$;
- 11) Put the plastic plug ⑭ into the hole $\phi 7$;
- 12) Install the bracket ⑮ by screw;
- 13) Install the screws ⑯ ;
- 14) Hang ⑰ on B;

Note:

There are two mesh gaskets ⑧ in the supply hoses.

If you find that pressure or volume of water is not big as before, pls clean the mesh gaskets timely.

Instruction of thermostatic mixer:

1. Balanced hot and cold water pressure
2. Water pressure $> 2\text{PA}$
3. Clean water, no impurities in water pipes
4. Generally, clean the mesh gaskets within 2 months