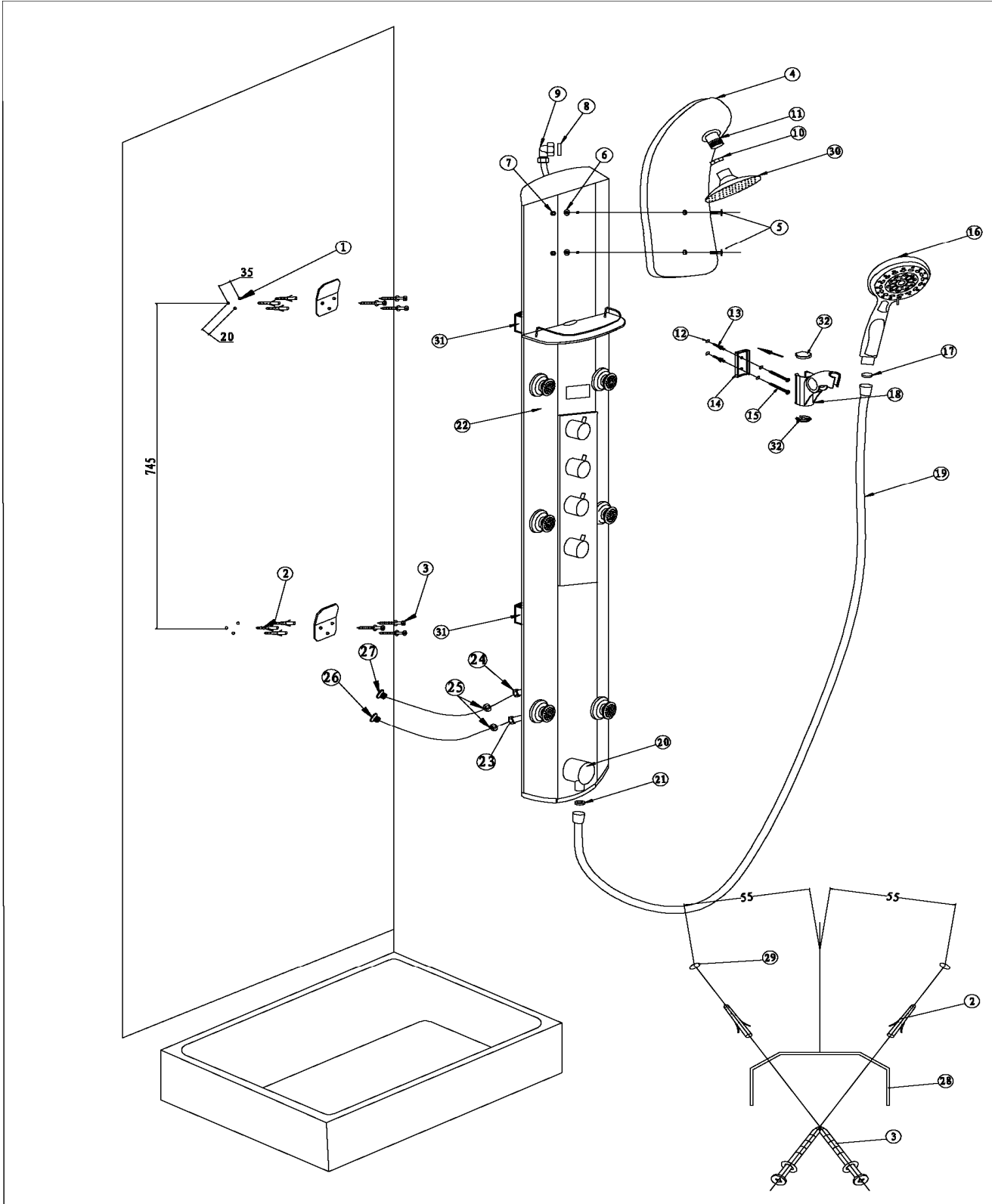


AquaPat Shower Panel Installation Guide MODEL: S2638TD



NOTE: There are two mesh gaskets (10) in the supply hoses. If you find that pressure or volume of water is not big as before, please clean the mesh gasket timely.

Refer to the technical diagram to choose the proper location for your shower panel, you can adjust the column's vertical position based on the person's height. (Measurements given in the technical diagram are based on the average human height. 68 5/7")

Flat wall Installation

1. Secure the elbow (6) on to the column using screws (12) and nuts (14) with stainless steel washers (13).
2. Placing gasket (10) into L-fitting (11).
3. Connect L-fitting (12) with the elbow water supply fitting (7).
4. Place the rubber washer (8) into the shower head (9).
5. Connect the shower head (9) to the elbow water supply fitting (7).
6. Set the shower hose (16) into the adorning support (26) on the column.
7. Choose the proper location for your column and mark the drill holes $\text{Ø}7\text{mm}$ (1). Drill the holes on the distance 107mm from each other. Drill the holes on the distance 745 mm from upper holes to lower holes.
8. Insert wall anchors (2) inside the holes (1).
9. Tighten the screws (5) to the wall with stainless steel washers (4). Leave the screw heads 5mm from the wall.
10. Place mesh gaskets (24) into the flexible hot (25) and cold (26) water supply line.
11. Connect the flexible hot (25) and cold (26) water supply lines to hot (27) and cold (28) water outlets (supplied by your plumber) accordingly.
12. Hang the Mounting brackets (3) on the screws (5) secured in the wall.
13. Securing the Hand shower Bracket: Place bracket plate (17) against wall in place you want to install hand shower and mark the drill holes (15). Drill the holes. Insert wall anchors (16) into the holes.
14. Secure the hand shower bracket plate (17) to the wall by screws (18).
15. Pull off the top and bottom covers of the bracket (19), and press the bracket on the bracket plate (17). Install the top and bottom cover on the bracket (19).
16. Attach the flexible shower hose (22) to the column body placing rubber washer (23) in nut.
17. Connect the hand shower (20) to the hose (22) placing the rubber washer (21) in the fastening nut.

NOTE: Do not forget to use the rubber washers to prevent leakage on the connection.

If you find that pressure or water volume is unusual, please clean the mesh gaskets (24) regular.

Corner Installation

For corner installation you need to install Corner Mounting brackets (29).

7. Choose the proper location for your column and mark the drill holes (30). Drill the holes on the distance 55mm from corner.
8. Insert wall anchors (2) inside the holes.
9. Attach Corner mounting bracket to the wall using screws (5) with stainless steel washer (4).
12. Hang the Mounting brackets on Corner mounting brackets (29)
Rest of installation is the same as flat wall mountings.



Please, make sure that none of the hoses are bent or kinked after final installation. Check water connections for proper flow; make sure there is no leakage.

For additional information contact AquaPat Showers at 877 789 AQUA (2782) or visit our website at www.aquapat.com or www.masterfaucet.com