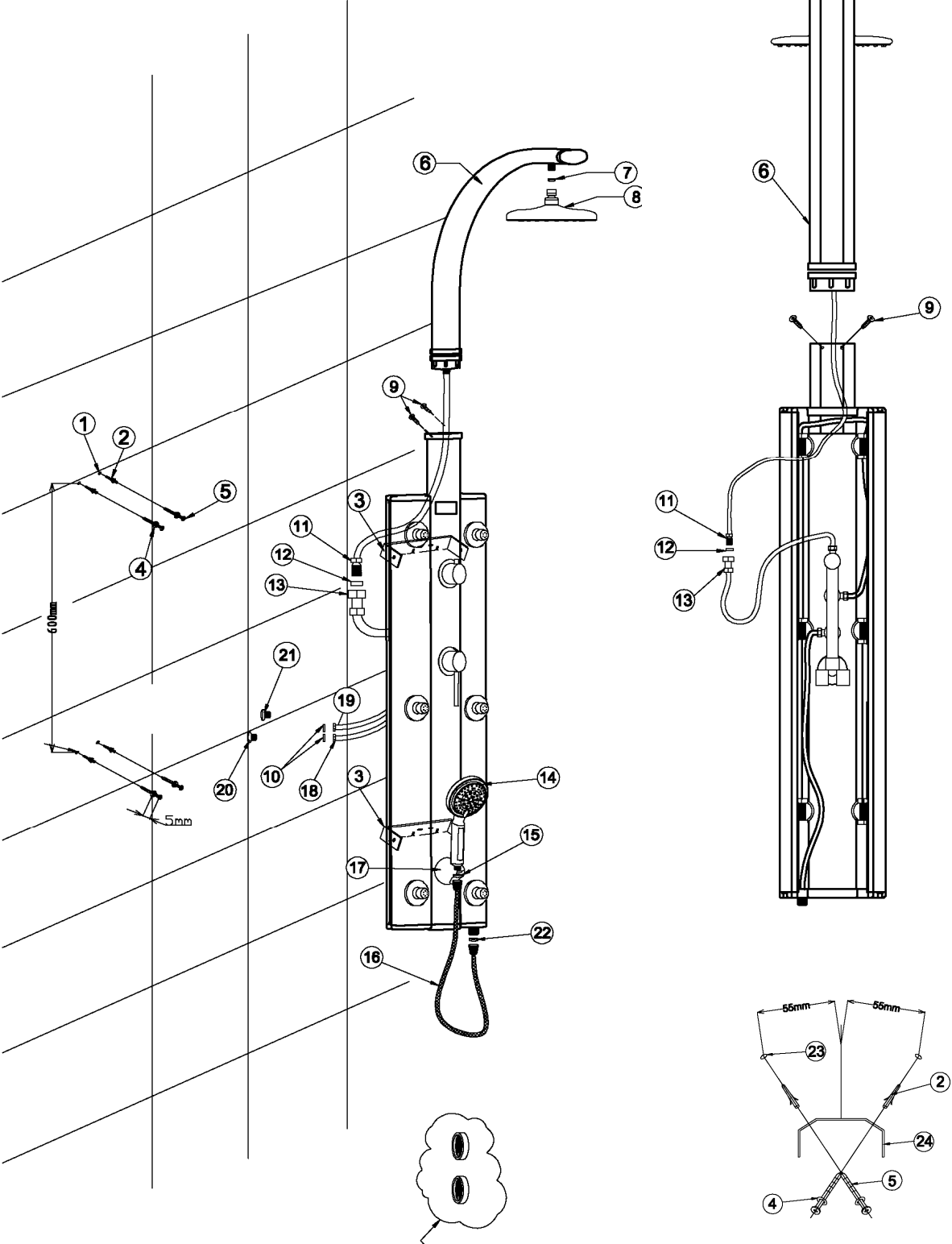




AquaPat Shower Panel Installation Guide

MODEL: S2578D



NOTE: There are two mesh gaskets (10) in the supply hoses. If you find that pressure or volume of water is not big as before, please clean the mesh gasket timely.

Refer to the technical diagram to choose the proper location for your shower panel, you can adjust the column's vertical position based on the person's height. (Measurements given in the technical diagram are based on the average human height. 68 5/7")

Flat wall Installation

- 1 Secure elbow (6) with pipe (11) on to the column using screws (9).
- 2 Connect pipe (11) with another pipe (13) placing rubber washer (12) in nut of pipe (13).
- 3 Place rubber washer (7) into the Shower head (8).
- 4 Connect the Shower head (8) to the elbow (6).
- 5 Choose the proper location for your column and mark the drill holesØ7mm (1). Drill the holes on the distance 110mm from each other. Drill the holes on the distance 600 mm from upper holes to lower holes.
- 6 Insert wall anchors (2) inside the holes.
- 7 Tighten the screws (5) to the wall with stainless steel washers (4). Leave the screw heads 5mm from the wall.
- 8 Place mesh gaskets (10) into the flexible hot (18) and cold (19) water supply line.
- 9 Connect the flexible hot (18) and cold (19) water supply lines to hot (20) and cold (21) water outlets (supplied by your plumber) accordingly.
10. Hang on column body (24),put the Mounting brackets (3) on the screws (5) secured in the wall.
11. Connect the hand shower (14) to the hose (16) placing the rubber washer (15) in the fastening nut.
12. Set the hand shower (14) on the holder (17).

NOTE: Do not forget to use the rubber washers to prevent leakage on the connection.
If you find that pressure or water volume is unusual, please clean the mesh gaskets (10) regular.

Corner Installation

For corner installation you need to install Corner Mounting brackets (22).

5. Choose the proper location for your column and mark the drill holesØ7mm (23). Drill the holes on the distance 55mm from corner. Drill the holes on the distance 600 mm from upper holes to lower holes.
6. Insert wall anchors (2) inside the holes. Attach Corner mounting bracket to the wall using screws (5) with stainless steel washer (4).
10. Hang the Mounting brackets on Corner mounting brackets (22)
Rest of installation is the same as flat wall mounting.



Please, make sure that none of the hoses are bent or kinked after final installation. Check water connections for proper flow; make sure there is no leakage

For additional information contact AquaPat Showers at 877 789 AQUA (2782) or visit our website at www.aquapat.com or www.masterfaucet.com