

**Aquapat Premium Shower Cabin**  
**Model Number: 8004-A - Steam Unit Not Included**  
**Size: Base - 36" x 36" x 16-1/2" x Enclosure Height - 82-3/4"**



## **IMPORTANT**

Please read carefully the following instructions before installing your Shower Unit. If you have any questions on this shower installation - please call our technical support specialists Monday to Friday 9:00 am – 5:00 pm Central Time at **1-866-254-2219** **Option 3** or e-mail our technical support group at **[sales@masterfaucet.com](mailto:sales@masterfaucet.com)**

## **Preparation**

1. After opening the case, read this introduction carefully, check all the packed parts are complete by cross checking all the components against the "Diagram of Shower Components". Examine for shipping damage. If the unit has been damaged or has a finishing defect, please contact Master Faucet within 2 business days. Please note that **Master Faucet will not replace any damaged product or parts free of charge, ONCE the product has been installed.** Master Faucet responsibility for damage in transit is limited after the shower package has been transferred to the transportation company, so you may have to contact the transportation company directly to report damage. Contact Master Faucet if you have any questions.

2. You should also consult your local building codes on questions on installation compliance standards.

3. Install all of the required plumbing and drainage before securing the shower base. **Use a competent and licensed (if required by local code) plumber for all plumbing installation.**

### **Cautions in installation and using**

Thank you for selecting our bathroom series. To guarantee safety and normal operation of products as well as prolong the service life, please pay attention to the following cautions:

1. After opening the case, read this introduction carefully, check all the parts, examine the shower cabin for transportation company, so you may have to contact the transportation company directly to report damage.

2. You should make sure that the floor is leveled and solid and will be able to support the total weight of the unit and its occupant. You should also consult your local building codes on question on installation compliance standards.

3. Install all of the required plumbing and drainage before securing the shower.

4. Please insure that prior to the installation the floor is leveled and the walls are at right angles. While some adjustment in leveling of the tray is possible, irregular floor level or improper angle of side walls will result in serious problems of your installation.

5. Assembled initially is not close. All screws and nuts must be screwed tightly before using.

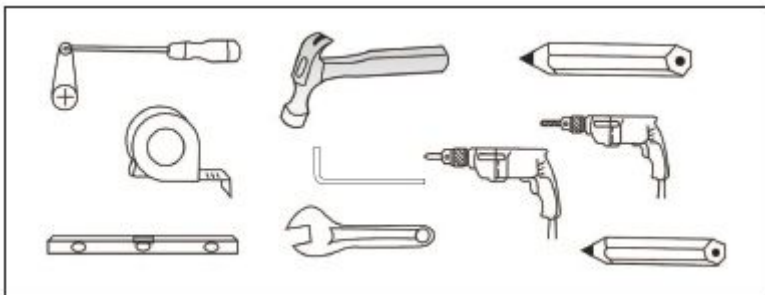
6. The socket of steam generator shall adopt qualified product with >25A capacity. Otherwise the contact may be overheated and cause fire.

7. After using, client shall turn off power feeder switch to avoid long term energizing in the system and speeding up the aging.

8. Use clean water, if the water source is not clean enough, filtration is needed.

9. Telephone line shall not be installed in parallel with other telephone set. Additional active deconcentrator shall be installed otherwise the quality of telephone communication will be lowered or no sound can be heard.

## **Tools Required**



1. Philips screwdriver
2. Hammer
3. Pencil
4. Tape measure
5. Allen key
6. Drill
7. Level
8. Adjustable wrench

## **Notice:**

1. It is unadvisable to have a shower immediately after acute sports.

2. Please avoid bath or shower in morning.

3. Keep the temperature of dressing room near to the bathroom.

4. If you feel discomfort able while having a shower, you should go out as soon as possible.

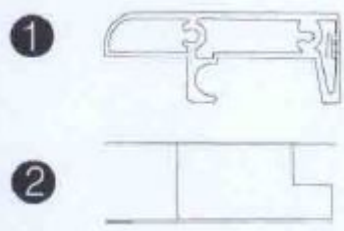
5. The time of shower is advisable to be between 15 minutes and 20 minutes, no longer.

6. Drink water to supplement moisture after shower or bathing.

7. People who suffer from heart disease, high blood pressure, diabetes or who feel unwell or pregnant woman are unadvisable to have bathing, massage or shower.

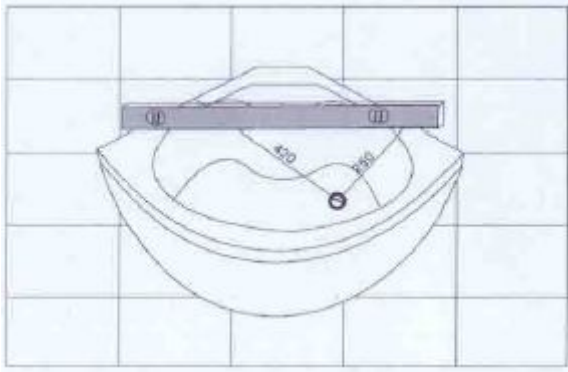


- Spares: crystal handle--2  
 chain wheel----8  
 wrench-----1  
 spacer-----32  
 4\*60 screw----8  
 4\*20screw----10  
 4\*16screw ----14  
 3.2drill-----1



For connecting upper and down tracks of fixed glass (1.4M\*2pcs)

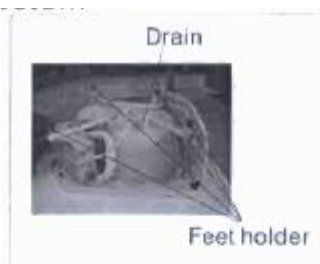
For connecting fixed straight frame (1.7M\*2pcs)



1. After open the package, put the tub where you would like to install the shower room.
2. Lift the tub and insert the drain into the drainage outlet.
3. Put the tub tight to depend the walls, and examine whether the floor is leveled with spirit level.
4. Revolve the feet of the tub, adjust the level of the tub, and tighten the nuts.

## **Steps of installation:**

### **First, installation of tub:**



1. Examine the spares in the tub track of glass room, riser of glass back board, handle shower, feet massage, towel, shelf, placing shelf, copper connector.
2. Take the tub out of the package. Then put it on the indicated position. Adjust with level ruler, make sure the drain is at the lowest position, revolve the holder and drain with wrench to prevent from leaking.

Second installation of glass back board.



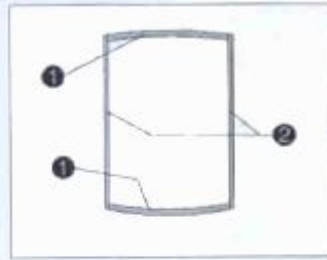
1. Connect the glass back board and the aluminum panel with type-T strake and screws of 4\*20.



2. Put the whole glass back board on the tub. Fix with screws of 4\*16.



3. Install the towel shelf, riser placing shelf, feet massage. Connect pipes with their corresponding function according to the mark.



**Third, installation for glass room:**

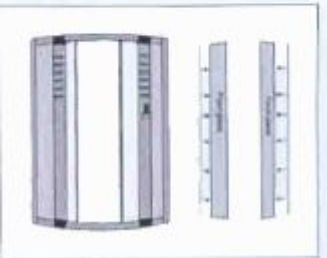
1. Connect frame (2) and track (1) with screws 4\*60. Do not tighten the screws for convenience of installation of small aluminum panel.



2. There are small aluminum panels and plastic. There are 2 plastic kinds (left & right). Knock the plastic into 2 ends of aluminum panels.



3. Install aluminum panels with the frame. Tighten the screws.



4. When install fixed glasses, install strakes first. Then push the glass into the track of aluminum alloy. Fix the plastic of aluminum panel into the track.



5. Install and adjust the movable doors with chain wheels. Install the handle and waterproof strake.



**Forth installation of glass room & coping**

1. Put the glass room on the tub. Connect it and glass back board with screw 4\*16.

2. Fix the coping with screw of 4\*16 . Insert the wire into the holes of lamp in small aluminum panels.



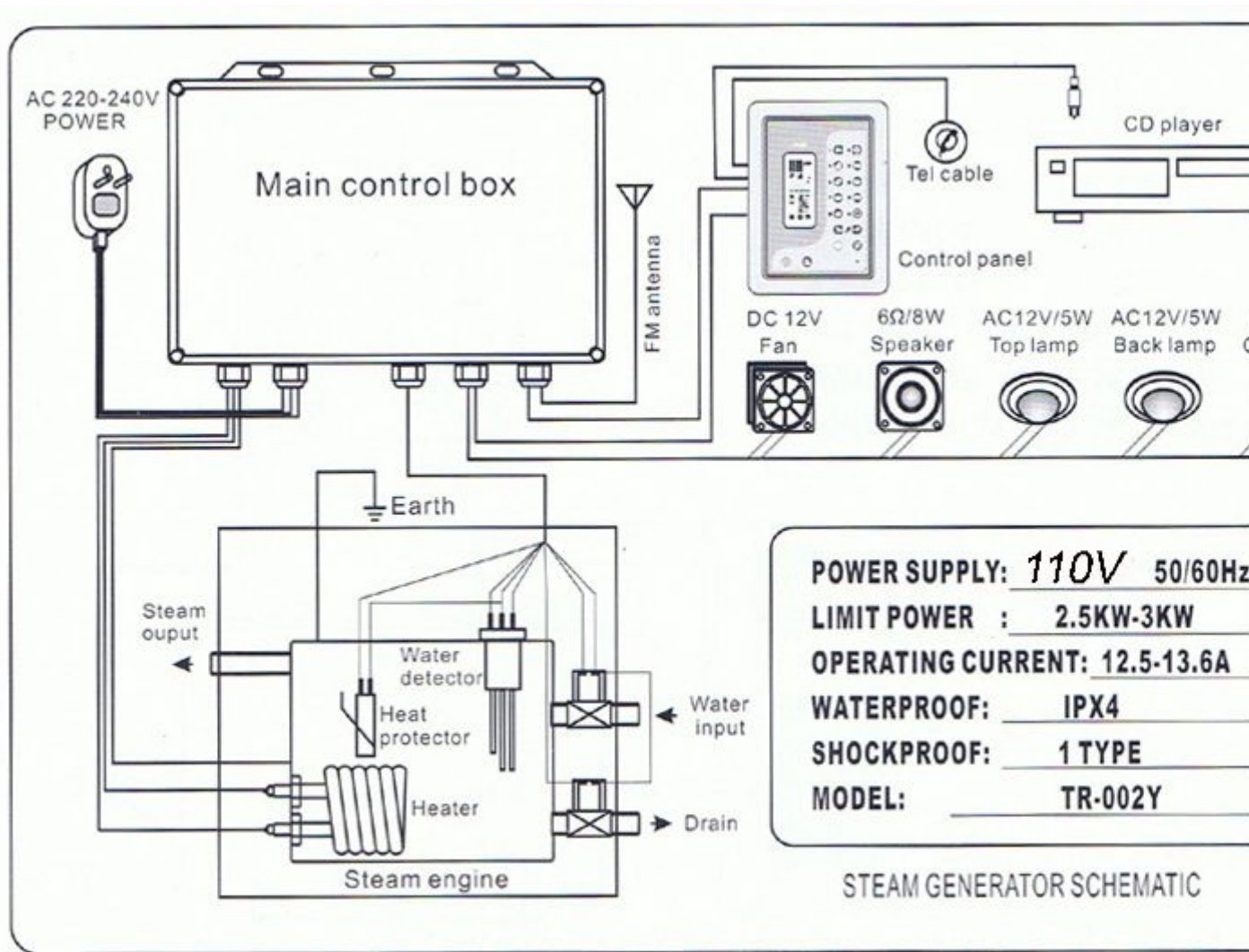
3. Connect the wires of lamps in small aluminum.

Fifth, connect the source of water and electricity. Examine whether there is electricity or water leakage or not.



**ELECTRICAL SPECIFICATIONS :**

Supply Power	Alternating current <b>110V ± 10%</b>
Power Frequency	<b>50Hz/60Hz</b>
Control Voltage	Direct current <b>12V</b>
Limit Power	<b>3KW</b>
Light Voltage	Alternating Current <b>12V</b>
Fan Voltage	Direct current <b>12V</b>
Radio Output Power	<b>5W</b>



## **Cleaning and maintenance**

1. For routine cleaning of steam bathroom, use ordinary detergent and soft cloth. Do not use the detergent that contains acetone. In cleaning do not use the disinfectant that contains formic acid and formaldehyde. If any besmirch is left by rubber sealant wipe it gently using soft cloth with little gasoline.
2. Should any scratch be found at the surface, sandpaper it with water using 1500# waterproof abrasive paper, then apply tooth paste and polish the surface with soft cloth.
3. Remove scale instructions on the surface of frame. Wipe it using soft cloth with detergent containing light acid such as lemon juice.
4. Gilt and chrome plate needs no frequent wiping.
5. Do not use utensil of rough surface and detergent containing chemical solution or grain to wipe the frame.
6. Do not strike the frame with blunt or knife.

Our product may have changes without prior notice 6

For additional information contact AquaPat Showers at 877 789 AQUA (2782) or visit our website at [www.aquapat.com](http://www.aquapat.com) or [www.masterfaucet.com](http://www.masterfaucet.com)