

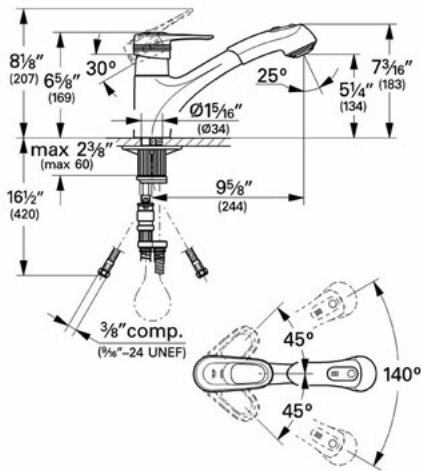
33 939 Dual Spray Pull-Out



Description

Single loop handle kitchen pull-out
Dual spray control-switches back and forth between regular flow and spray
SpeedClean anti-lime system
Ceramic cartridge
56" extractable hose
9 5/8" spout reach
Quick installation system
Stainless steel braided flexible supplies
Integral check valves
Single hole installation

IAPMO File #1750



Flow Rate

2.2 at 60 psi, 2.5 at 80 psi (9.5 lpm)

Code Compliance

ASME/ANSI A112.18.1M
ANSI/NSF Standard 61
ADA Compliant

Finish Options

33 939 OOO Starlight® Chrome
33 939 AVO Infinity Satin Nickel