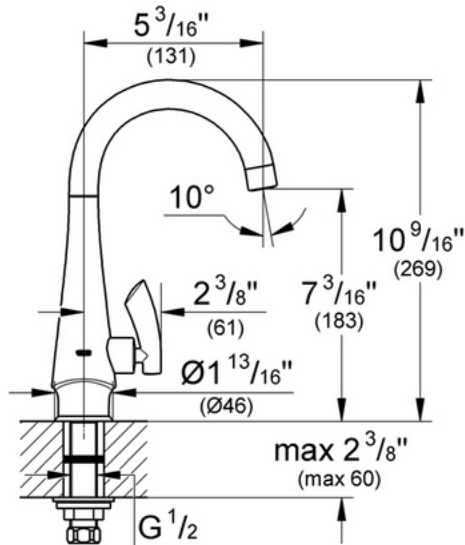


## 30 004 High Profile Basin/Pillar Tap



### Description

GROHE RealSteel® Stainless Steel Construction (SD0 and KD0 versions)  
 Solid brass body (000 version)  
 Ceramic cartridge  
 Single Inlet - Cold Water  
 Single lever handle  
 5 3/16" swivel spout  
 Cold water only

### Flow Rate

2.2 gpm at 60 psi, 2.5 gpm at 80 psi  
 (9.5 lpm)

### Code Compliance

ASME/ANSI A112.18.1M  
 ANSI/NSF Standard 61  
 ADA Compliant

### Finish Options

30 004 OOO Starlight® Chrome  
 30 004 SDO Stainless Steel  
 30 004 KDO Stainless Steel/Black