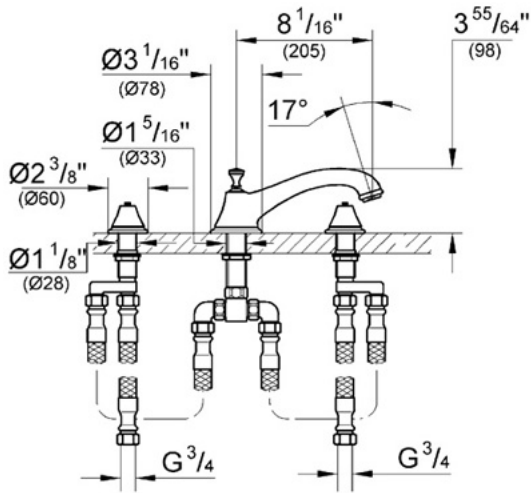


25 055 Roman tub filler



Description

8 1/16" spout
 3-hole installation
 GROHE SilkMove® ceramic cartridges
 Flexible stainless steel braided hoses connect all components and valves to supply.

Sold less handles. Shown with both Seabury cross handles (18 731) and Seabury lever handles (18 732).

Flow Rate

NA

Code Compliance

ASME/ANSI A112.18.1M
 ADA Compliant

Finish Options

25 055 OOO Starlight® Chrome
 25 055 ROO Infinity Polished Brass
 25 055 AVO Infinity Satin Nickel
 25 055 RRO Velour Chrome
 25 055 BEO Sterling Infinity Finish
 25 055 ENO Infinity Brushed Nickel
 25 055 ZBO Oil Rubbed Bronze