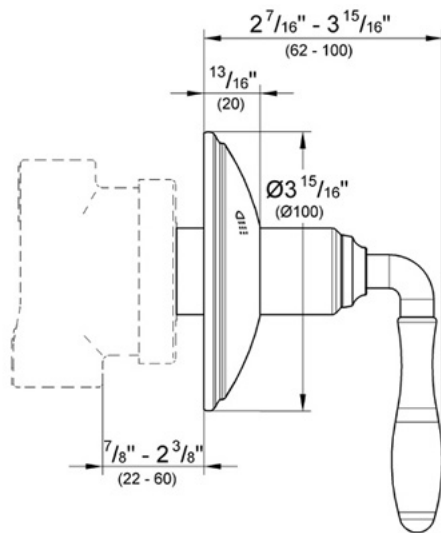


19 224 5-port Diverter Trim



Description

2 inlets, 3 outlets
Seabury lever handle

For use with 29 714 diverter rough-in valve.

Flow Rate

NA

Code Compliance

ASME/ANSI A112.18.1M
ADA Compliant

Finish Options

19 224 000 Starlight® Chrome
19 224 ROO Infinity Polished Brass
19 224 AVO Infinity Satin Nickel
19 224 RRO Velour Chrome
19 224 BEO Sterling Infinity Finish
19 224 ENO Infinity Brushed Nickel
19 224 ZBO Oil Rubbed Bronze