

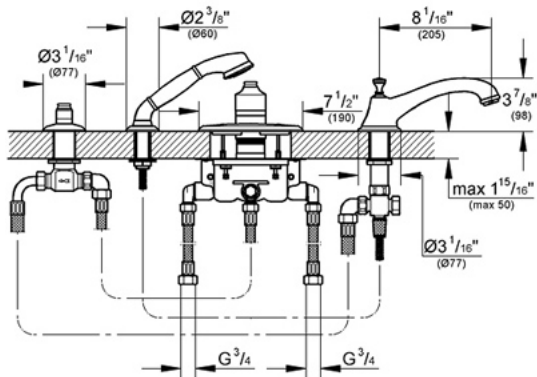
## 19 045 Thermostatic Roman Tub Filler



### Description

4-hole deck-mount installation  
 3/4" thermostatic mixing valve  
 GROHE TurboStat® Technology  
 GROHE SilkMove® ceramic cartridge  
 8 3/4" diverter spout  
 Hand shower  
 79" hand shower hose  
 Volume control included  
 Flexible stainless steel braided hoses  
 Service stops

Sold less handles. Shown with both Seabury cross handles (19 205) and lever handles (19 204). These handles are exclusive to the thermostatic tub filler.



### Flow Rate

8 gpm at 45 psi (thermostat valve)  
 2.5 gpm at 80 psi (hand shower)

### Code Compliance

ASME/ANSI A112.18.1M  
 ASSE Standard 1016

### Finish Options

19 045 OOO Starlight® Chrome  
 19 045 ROO Infinity Polished Brass  
 19 045 AVO Infinity Satin Nickel  
 19 045 RRO Velour Chrome  
 19 045 BEO Sterling Infinity Finish  
 19 045 ENO Infinity Brushed Nickel  
 19 045 ZBO Oil Rubbed Bronze