



Model 120654

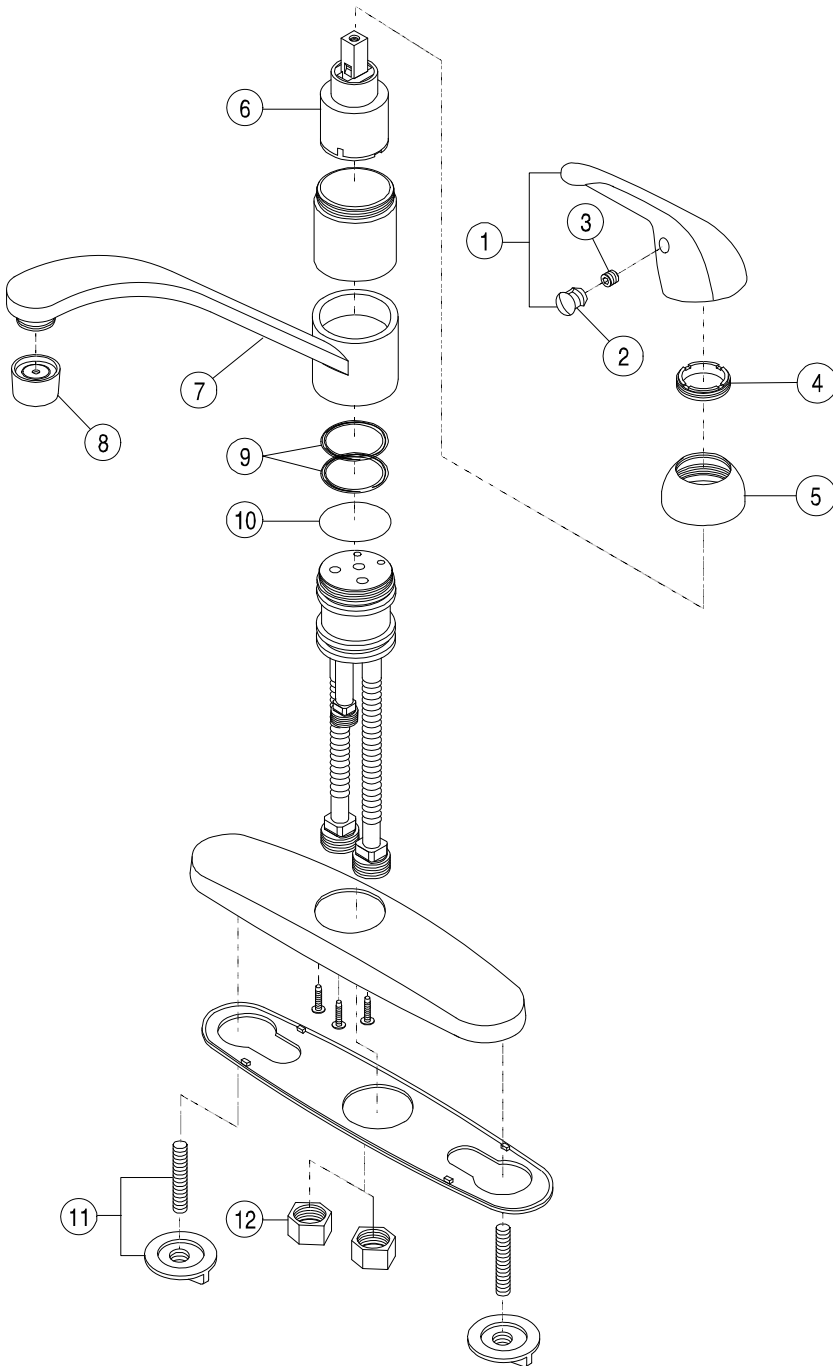
Single Lever Handle Kitchen Faucet
Chrome Plated Finish
Less Spray
1/2" IPS Connection

Bayview™



Model 120654

Refer to Premier Faucet Parts List Sheet for part numbers and ordering information.



For additional information contact Premier Faucet at 866-745-4010 or visit our website at www.premierfaucet.com



Model 120654

Single Lever Handle Kitchen Faucet
Chrome Plated Finish
Less Spray
1/2" IPS Connection

Bayview™



Model 120654

Refer to Premier Faucet Parts Schematic Sheet for parts diagram.

INDEX	DESCRIPTION	MATERIAL	QTY	PART NO
1	HANDLE ASSEMBLY	METAL	1	994175
2	INDEX PLUG	PLASTIC	1	994202
3	HANDLE SCREW	STAINLESS STEEL	1	994197
4	TENSION RING	BRASS	1	994635
5	CAP	ZINC	1	994361
6	CARTRIDGE	CERAMIC	1	163000
7	SPOUT	BRASS	1	994477
8	AERATOR	BRASS	1	144211
9	O-RING	RUBBER	2	133725
10	FRICTION RING	PLASTIC	1	994517
11	POST & NUT	STEEL/PLASTIC	2	994276
12	COUPLING NUT	BRASS	2	133838