



Model 120161

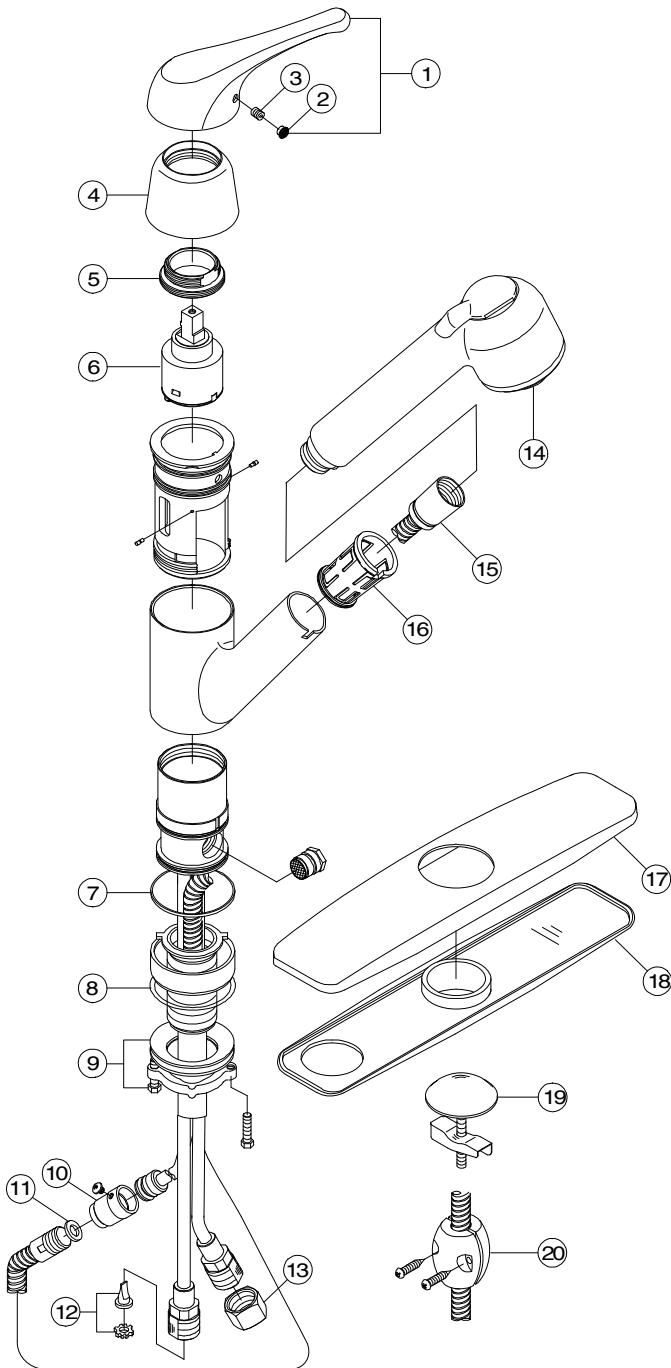
Single Lever Handle Pull-Out Kitchen Faucet
Brushed Nickel Finish
1/2" IPS Connection

SONOMA™



Model 120161

Refer to Premier Faucet Parts List Sheet for part numbers and ordering information.



For additional information contact Premier Faucet at 866-745-4010 or visit our website at www.premierfaucet.com





Model 120161

Single Lever Handle Pull-Out Kitchen Faucet
Brushed Nickel Finish
1/2" IPS Connection

SONOMA™



Refer to Premier Faucet Parts Schematic Sheet for parts diagram.

INDEX	DESCRIPTION	MATERIAL	QTY	PART NO
1	HANDLE ASSEMBLY	METAL	1	994161
2	INDEX PLUG	PLASTIC	1	994204
3	HANDLE SCREW	STAINLESS STEEL	1	994197
4	CANOPY	PLASTIC	1	994340
5	BONNET NUT	BRASS	1	994319
6	CARTRIDGE	CERAMIC	1	994105
7	FRICTION RING	PLASTIC	1	994518
8	GASKET	RUBBER	1	994528
9	INSTALLATION KIT	BRASS	1	994263
10	UNION ASSEMBLY	BRASS	1	994626
11	GASKET	RUBBER	1	994529
12	CHECK VALVE	RUBBER	2	994282
13	COUPLING NUT	BRASS	2	133838
14	PULLOUT SPRAYER	PLASTIC	1	994285
15	PULLOUT HOSE ASSEMBLY	REINFORCED PVC	1	133108
16	PULLOUT SPRAY CRADLE	PLASTIC	1	994577
17	DECK PLATE	ZINC	1	994405
18	PUTTY PLATE	PLASTIC	1	994366
19	COVER PLATE	STAINLESS STEEL	1	994389
20	HOSE WEIGHT	RUBBER	1	994573

