



Model 120156

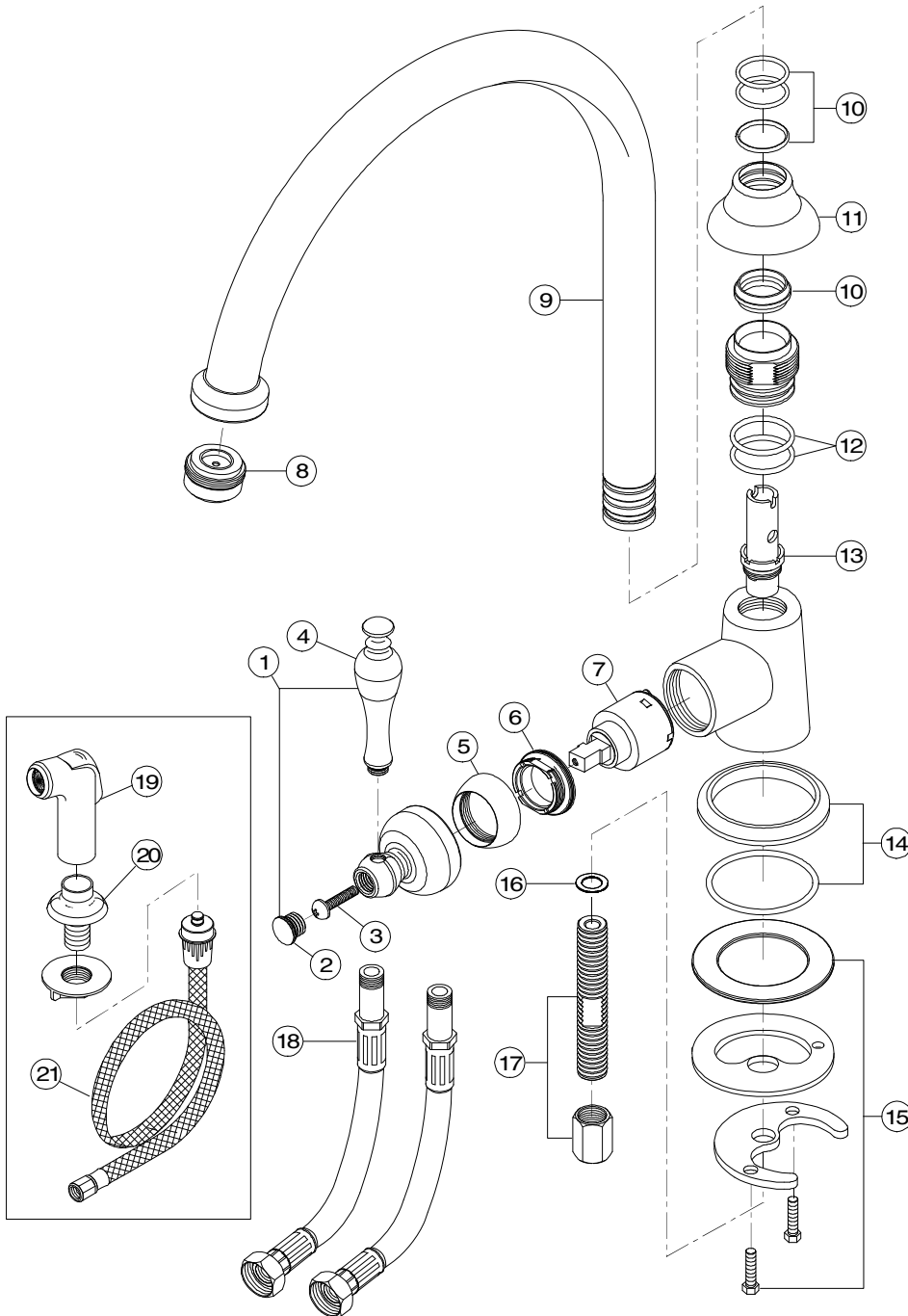
Single Lever Handle Kitchen Faucet
Single Hole Mount With Spray
Brushed Nickel Finish
1/2" IPS Connection

Wellington™



Model 120156

Refer to Premier Faucet Parts List Sheet for part numbers and ordering information.



For additional information contact Premier Faucet at 866-745-4010 or visit our website at www.premierfaucet.com



**Model 120156**

Single Lever Handle Kitchen Faucet
 Single Hole Mount With Spray
 Brushed Nickel Finish
 1/2" IPS Connection

Wellington™

Refer to Premier Faucet Parts Schematic Sheet for parts diagram.

INDEX	DESCRIPTION	MATERIAL	QTY	PART NO
1	HANDLE ASSEMBLY	BRASS	1	994158
2	SCREW COVER KIT	BRASS	1	994256
3	HANDLE SCREW	BRASS	1	994194
4	PORCELAIN INSERT	PORCELAIN	1	994225
5	CAP	BRASS	1	994359
6	BONNET NUT	BRASS	1	994319
7	CARTRIDGE	CERAMIC	1	994105
8	AERATOR	BRASS	1	994102
9	SPOUT	BRASS	1	994470
10	O-RING & GASKET KIT	RUBBER	2	994545
11	UPPER COLLAR	BRASS	1	994595
12	O-RING	RUBBER	1	994540
13	SPRAY DIVERTER	PLASTIC	1	994648
14	ESCUTCHEON ASSY	BRASS	1	994434
15	INSTALLATION KIT	BRASS	1	994265
16	GASKET	RUBBER	1	994526
17	RISER & FIXTURE NUT	BRASS	1	994578
18	CONNECTOR HOSE	PVC	2	994649
19	SPRAYER	PLASTIC	1	994301
20	SPRAY CRADLE	PLASTIC	1	994289
21	SPRAY HOSE	PVC	1	153185

Model 120156

