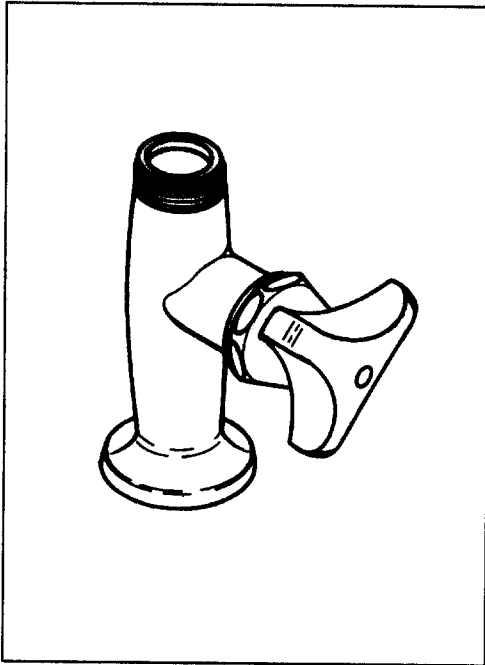
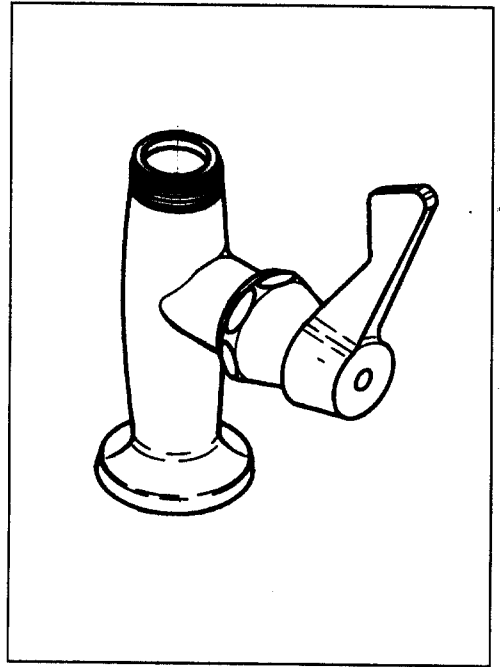




4" Pillar Basin Tap



20 160 and variants



20 162 and variants

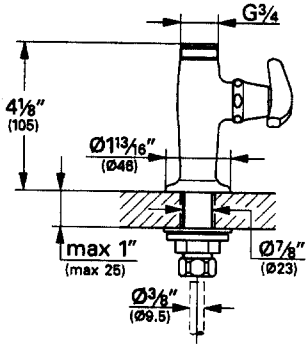


Installation dimensions
Inch and (mm)

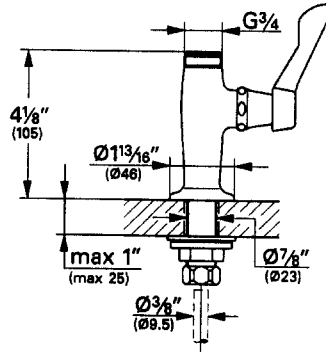
Dimensions pour l'installation
Pouce et (mm)

Dimensiones de montaje
Pulgadas y (mm)

20 160
20 161

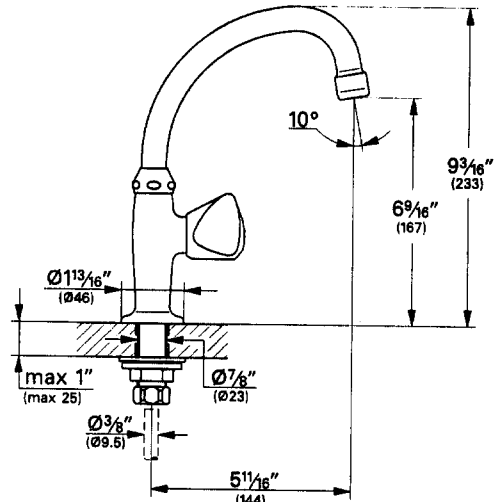
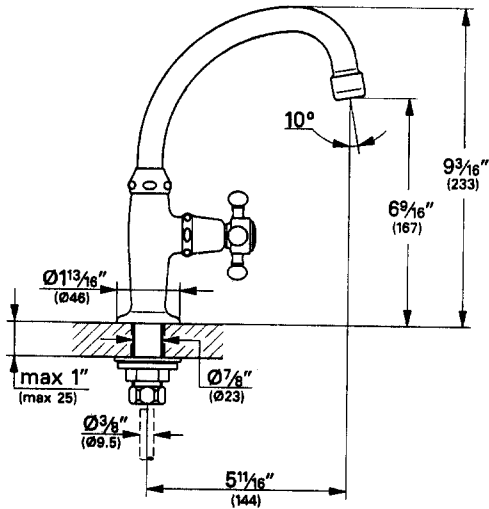


20 162
20 163
20 171 (with spout 13 031)
20 172 (with spout 13 056)



20 175

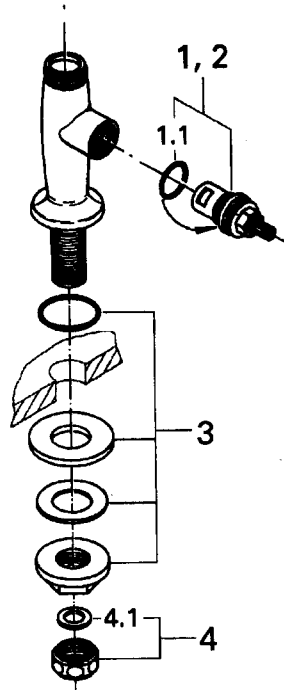
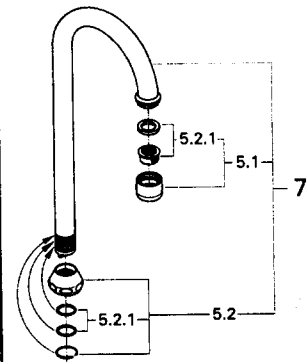
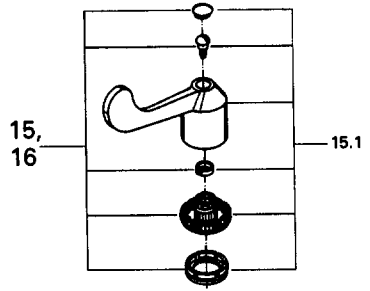
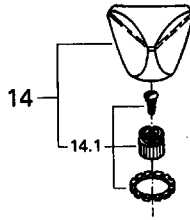
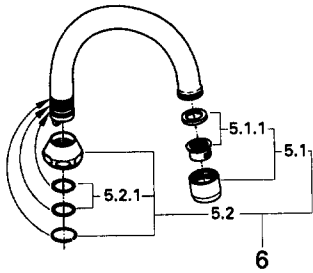
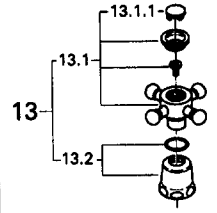
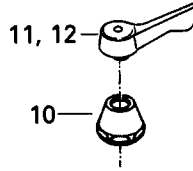
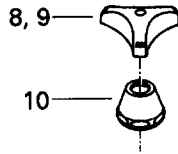
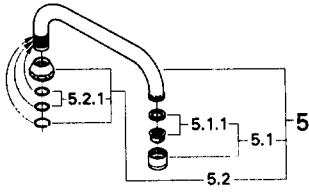
20 440



Replacement parts

Pièces de rechange

Repuestos



Specification

Application

Operation is possible in conjunction with:

- Pressurized storage heaters
- Thermally controlled instantaneous heaters (set flow temperature to 120 °F)
- Hydraulically controlled instantaneous heaters

Operation with low-pressure storage heaters (displacement water heaters) is **not** possible.

Specifications

- Max. flow 9.5 L/min or 2.5 gpm/80 psi
8.3 L/min or 2.2 gpm/60 psi
(with Grohe spout)
- Flow pressure
 - min. 7.25 psi
 - recommended 14.5 - 72.5 psi
 - greater than 72.5 psi, fit pressure reducing valve
- Max. operating pressure 145 psi
- Test pressure 232 psi
- Temperature
 - max. (hot water inlet) 176 °F
- Water connection hot or cold

Installation

Mount basin tap on lavatory

See dimensional drawings fold-out page I.

Flush pipe thoroughly.

Connect basin tap

For this purpose the copper pipe must be fitted on to the angle stop (or other supply point).

Open angle stop and check function of faucet.

Check connections for leakage.

Maintenance

For **Maintenance**, see fig. [1] and fold-out page II.

Shut off cold and hot water supply.

I. Ceramic cartridge

Unscrew the ceramic cartridge (1, 2) using a 17 mm ($\frac{11}{16}$ ") wrench.

II. Flow regulator

Unscrew and clean the flow regulator (5.1), see fig. [1].

Check, clean and if necessary replace parts.

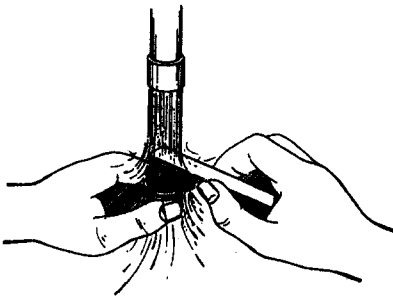
Grease with special valve grease (Cat.No. 18 012).

Assemble in reverse order.

Only original **Grohe** replacement parts may be used.

Care

Instructions for care of this 4" Pillar Basin Tap will be found in the Limited Warranty supplement.



[1]

Replacement parts

No.	Description	Cat. No.	Pack- ing unit	No.	Description	Cat. No.	Pack- ing unit
1	Ceramic cart. 90°, right	45 625	1	10	Cap	01 702	1
1.1	Body seal O-ring	03 924	10	11	Lever handle, blue	06 923	1
2	Ceramic cart. 90°, left	45 626	1	12	Lever handle, red	06 924	1
3	Mounting set	45 000	1	13	Arabesk handle cpl.	45 277	1
4	Connection nut set	12 902	2	13.1	Arabesk handle	45 678	1
4.1	Washer	01 389	10	13.1.1	Marking plate	45 679	1
5	Swivel spout 7½"	13 031	1	13.2	Cap cartridge Arabesk	45 680	1
5.1	Flow regulator	13 954	1	14	TDL handle, neutral	06 486	1
5.1.1	Flow regulator set	45 220	1	14.1	Handle connection set	45 001	1
5.2	Spout fitting set	45 006	1	15	Lever 4", blue/red	45 471	1
5.2.1	Spout O-ring seal	01 285	20	15.1	Lever connection set	45 620	1
6	Swivel spout 5½"	13 050	1	16	Lever 6", blue/red	45 472	1
7	Swivel spout 4¼"	13 056	1				
8	Tricorn handle, blue	06 113	1				
9	Tricorn handle, red	06 114	1				

Subject to technical modification without notice.

Grohe America Inc.
241 Covington Drive
Bloomington, IL
60108
U.S.A.
Technical Services
Phone: (708)582-7711
Fax: (708)582-7722

Grohe Canada Inc.
862 Arvin Avenue, Unit 7
Stoney Creek, Ontario
Canada, L8E 5P2
Technical Services
Phone: (905)643-9848
Fax: (905)643-9843